

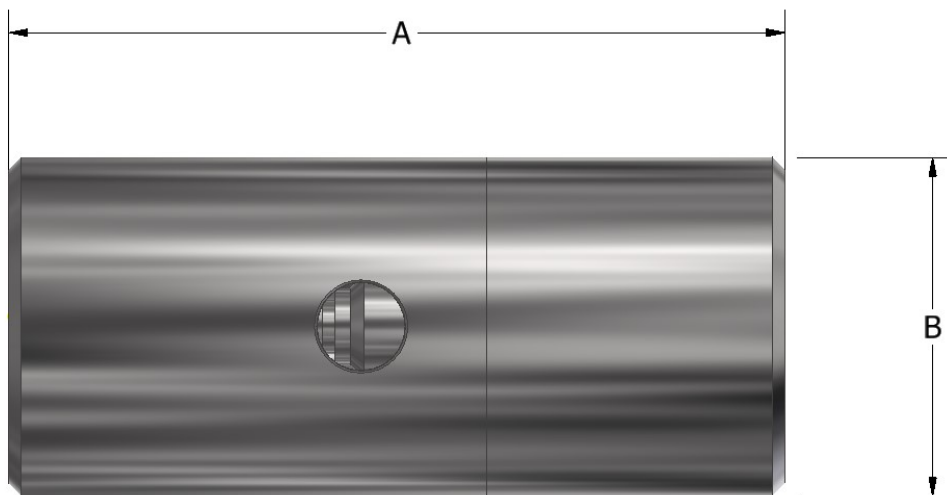


OPERATION

The Ruelco RQ-1 Hydraulic Quick Exhaust is designed to rapidly bleed the control pressure from an actuator or other hydraulic device. It is typically used on safety valves, control valves or other devices that must respond quickly when the control signals are removed. Its in-line design and three part construction make the quick exhaust easy to install and maintain. No special tools are needed for repair and assembly. The Ruelco RQ-1 will improve equipment operation and reduce maintenance time.

FEATURES

- Stainless steel construction
- 1/4" NPT port connections
- Durable polyurethane seal
- Large Cv factor assures fast system response
- Small compact design



RQ-1 HYDRAULIC QUICK EXHAUST

DIMENSIONS

A	3.75" 95 mm)
B	1.62" (41.1 mm)
PORTS	1/4" FNPT
WEIGHT	3.3 LBS (1.5 KG)

PHONE: 504-340-0055
FAX: 504-340-0056
EMAIL: SALES@RUELCO.COM

1209 DISTRIBUTORS ROW
NEW ORLEANS, LA 70123



Proudly Distributed By

TRIDENT AUSTRALIA
FLUID SYSTEMS & COMPONENTS

PARTS LIST

ITEM	QUANTITY	DESCRIPTION	MATERIAL
1	1	CAP	316 ST. STL.
2*	1	BODY-O RING	NITRILE
3*	1	PISTON O-RING	NITRILE
4*	1	SEAT O-RING	NITRILE
5	1	BALL	TUNGSTEN CARBIDE
6	1	SPRING	INCONEL X-750
7	1	SPOOL ASSEMBLY	316/17-4 ST. STL.
8	1	BODY	316 ST. STL.
9*	1	SPOOL O-RING	NITRILE
10	1	SEAT	316 ST. STL.
11*	2	BACK-UP RING	TEFLON
12	1	RETAINER RING	316 ST. STL.

* INDICATES ITEMS IN THE REPAIR KIT

SPECIFICATIONS

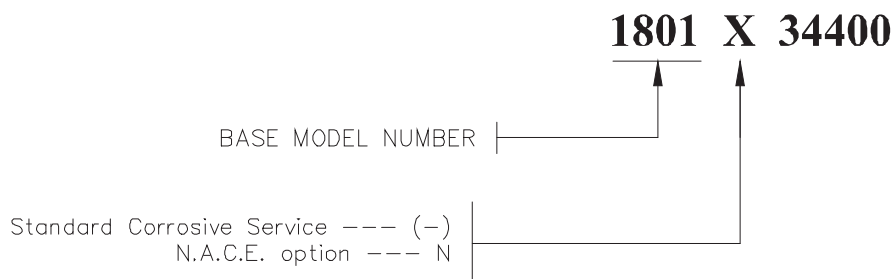
MAXIMUM WORKING PRESSURE	6,000 PSI (414 BAR)
INLET CHECK OPENING PRESSURE	45 PSI (3.1 BAR)
AMBIENT TEMPERATURE RANGE	-20 TO 250° F -29 TO 122° C
Cv FACTOR (IN)	.237
Cv FACTOR (BLEED)	.91

REPAIR KIT

- 18-007-000

OTHER TEMPERATURE RANGES AND SEAL COMPOUNDS AVAILABLE UPON REQUEST

ORDERING CODE



PHONE: 504-340-0055
FAX: 504-340-0056
EMAIL: SALES@RUELCO.COM

1209 DISTRIBUTORS ROW
NEW ORLEANS, LA 70123

RQ-1 HYDRAULIC QUICK EXHAUST

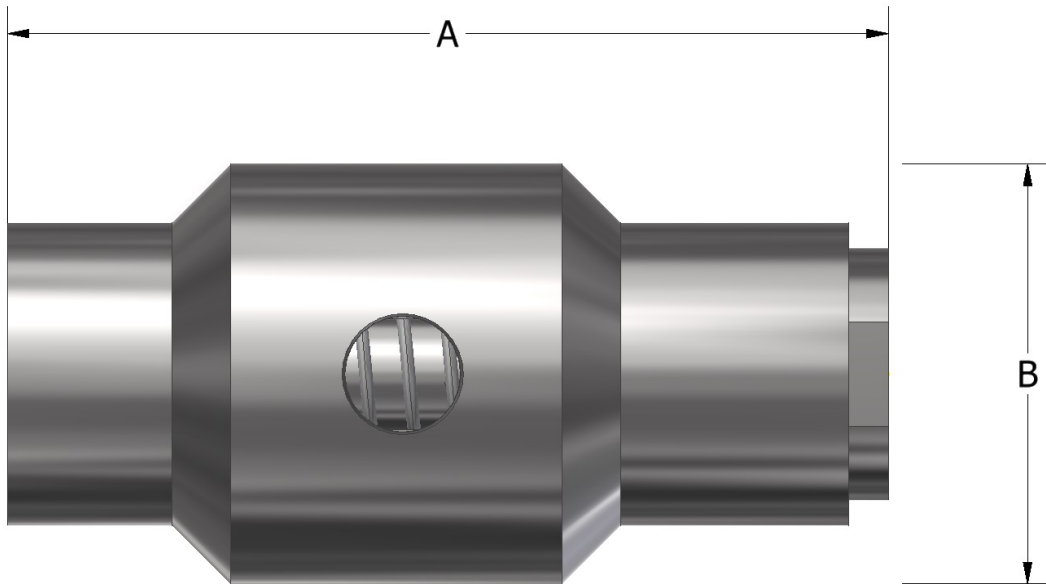


OPERATION

The Ruelco RQ-2 Hydraulic Quick Exhaust is designed to rapidly bleed the control pressure from an actuator or other hydraulic device. It is typically used on safety valves, control valves or other devices that must respond quickly when the control signs are removed. Its in-line design and three part construction make the quick exhaust easy to install and maintain. No special tools are needed for repair and assembly. The Ruelco RQ-2 will improve equipment operation and reduce maintenance time.

FEATURES

- Stainless steel construction
- 1/2" NPT port connections
- Durable polyurethane seal
- Large Cv factor assures fast system response



RQ-2 HYDRAULIC QUICK EXHAUST

DIMENSIONS

A	5.25" (134 mm)
B	2.50" (63.5 mm)
PORTS	1/2" FNPT
WEIGHT	5.5 LBS (2.5 KG)

PHONE: 504-340-0055
FAX: 504-340-0056
EMAIL: SALES@RUELCO.COM

1209 DISTRIBUTORS ROW
NEW ORLEANS, LA 70123



Proudly Distributed By

TRIDENT AUSTRALIA
FLUID SYSTEMS & COMPONENTS

PARTS LIST

ITEM	QUANTITY	DESCRIPTION	MATERIAL
1	1	CAP	17-4 PH ST. STL.
2*	1	BODY O-RING	NITRILE
3*	1	SEAT O-RING	NITRILE
4*	1	PISTON O-RING	NITRILE
5*	1	BALL	TUNGSTEN CARBIDE
6	1	SPRING	316 ST. STL.
7	1	SPOOL ASSEMBLY	17-4 PH ST. STL.
8	1	BODY	17-4 PH ST. STL.
9*	1	SPOOL O-RING	NITRILE
10	1	LARGE SPRING	316 ST. STL.
11*	2	BACK-UP RING	PTFE
12	1	SEAT	316 ST. STL.

* INDICATES ITEMS IN THE REPAIR KIT

SPECIFICATIONS

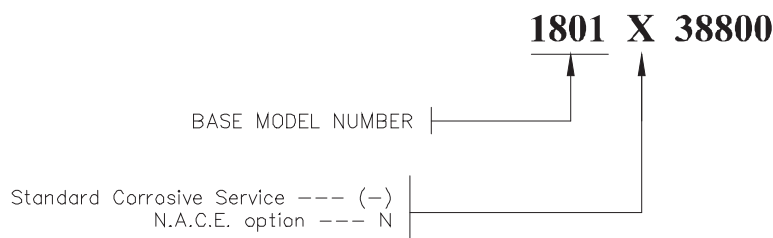
MAXIMUM WORKING PRESSURE	10,000 PSI (690 BAR)
INLET CHECK OPENING PRESSURE	45 PSI (3.1 BAR)
AMBIENT TEMPERATURE RANGE	-20 TO 250° F -29 TO 122° C
Cv FACTOR (IN)	1.0
Cv FACTOR (BLEED)	4.82

REPAIR KIT

- 18-008-000

OTHER TEMPERATURE RANGES AND SEAL COMPOUNDS AVAILABLE UPON REQUEST

ORDERING CODE



PHONE: 504-340-0055
FAX: 504-340-0056
EMAIL: SALES@RUELCO.COM

1209 DISTRIBUTORS ROW
NEW ORLEANS, LA 70123

RQ-2 HYDRAULIC QUICK EXHAUST

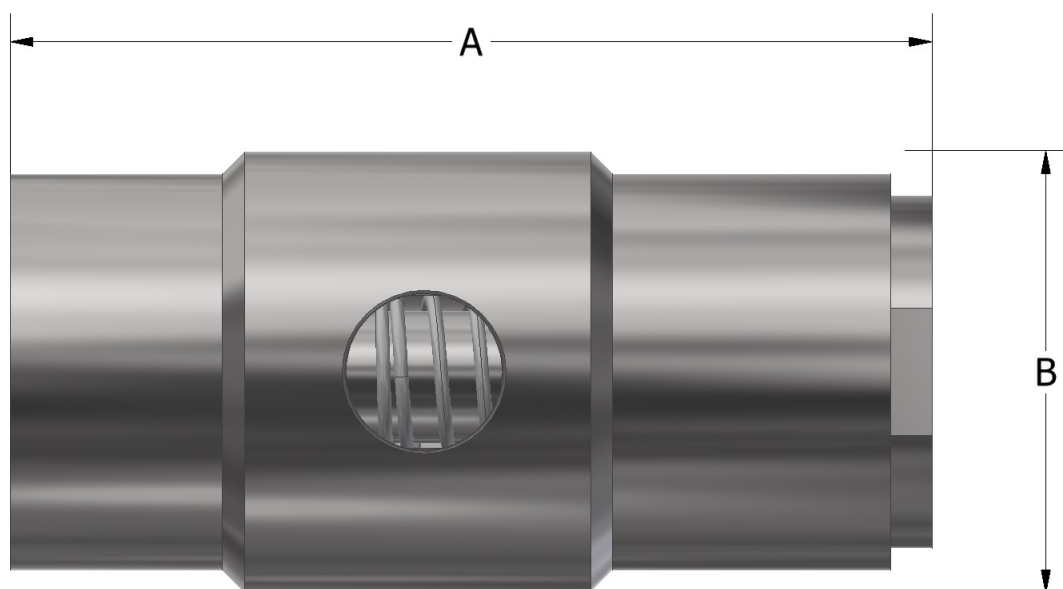


OPERATION

The Ruelco 3/4" npt Hydraulic Quick Exhaust is designed to rapidly bleed the control pressure from an actuator or other hydraulic device. It is typically used on safety valves, control valves or other devices that must respond quickly when the control signs are removed. Its in-line design and three part construction make the quick exhaust easy to install and maintain. No special tools are needed for repair and assembly. The Ruelco RQ-2 will improve equipment operation and reduce maintenance time.

FEATURES

- Stainless steel construction
- 3/4" NPT port connections
- Durable polyurethane seal
- Large Cv factor assures fast system response



3/4" NPT HYDRAULIC QUICK EXHAUST

DIMENSIONS

A	5.25" (134 mm)
B	2.50" (63.5 mm)
PORTS	3/4" FNPT
WEIGHT	6.0 LBS (2.72 KG)

PHONE: 504-340-0055
FAX: 504-340-0056
EMAIL: SALES@RUELCO.COM

1209 DISTRIBUTORS ROW
NEW ORLEANS, LA 70123



Proudly Distributed By

TRIDENT AUSTRALIA
FLUID SYSTEMS & COMPONENTS

PARTS LIST

ITEM	QUANTITY	DESCRIPTION	MATERIAL
1	1	CAP	316 ST. STL.
2*	1	BODY O-RING	NITRILE
3*	1	SEAT O-RING	NITRILE
4*	1	PISTON O-RING	NITRILE
5*	1	BALL	TUNGSTEN CARBIDE
6	1	SPRING	316 ST. STL.
7	1	SPOOL ASSEMBLY	17-4 PH ST. STL.
8	1	BODY	316 ST. STL.
9*	1	SPOOL O-RING	NITRILE
10	1	LARGE SPRING	316 ST. STL.
11*	2	BACK-UP RING	PTFE
12	1	SEAT	316 ST. STL.

* INDICATES ITEMS IN THE REPAIR KIT

SPECIFICATIONS

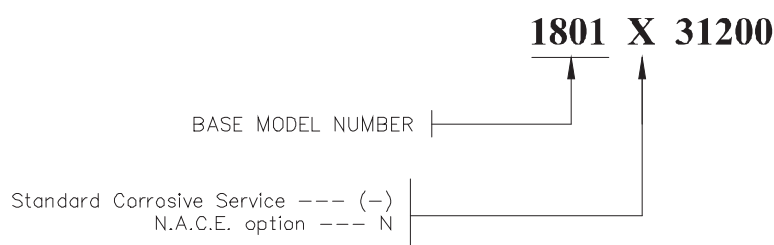
MAXIMUM WORKING PRESSURE	6,000 PSI (414 BAR)
INLET CHECK OPENING PRESSURE	45 PSI (3.1 BAR)
AMBIENT TEMPERATURE RANGE	-20 TO 250° F -29 TO 122° C
Cv FACTOR (IN)	1.0
Cv FACTOR (BLEED)	4.82

REPAIR KIT

- 18-008-000

OTHER TEMPERATURE RANGES AND SEAL COMPOUNDS AVAILABLE UPON REQUEST

ORDERING CODE



PHONE: 504-340-0055
FAX: 504-340-0056
EMAIL: SALES@RUELCO.COM

1209 DISTRIBUTORS ROW
NEW ORLEANS, LA 70123

3/4" NPT HYDRAULIC QUICK EXHAUST